



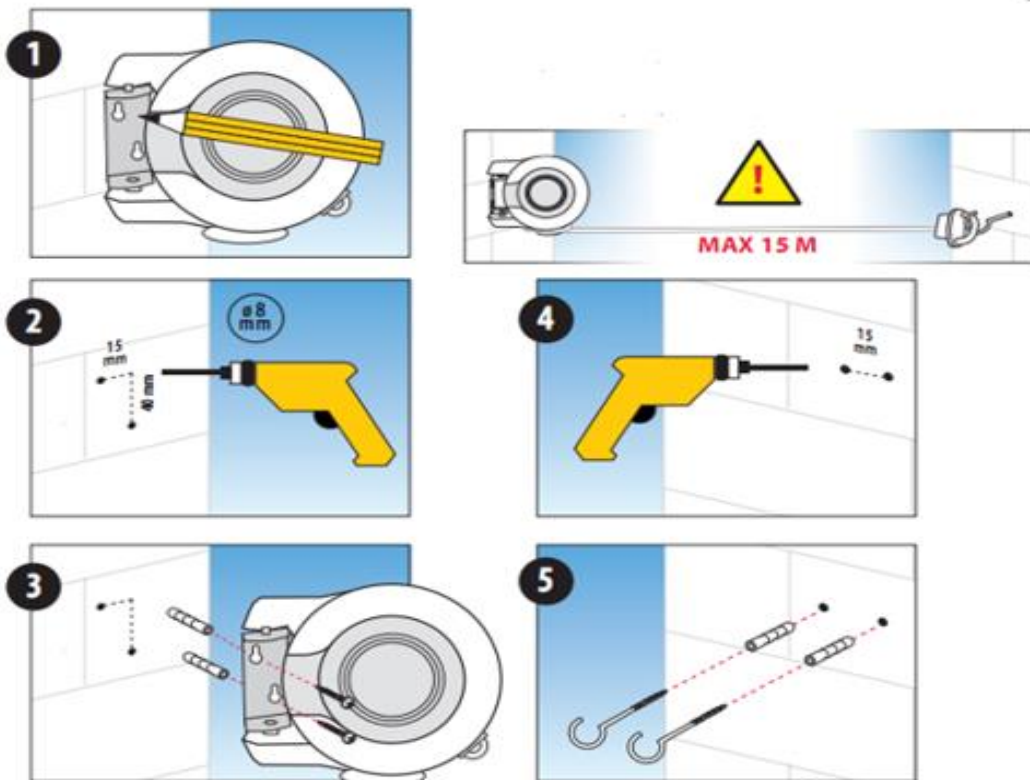
HOMEGEAR

Retractable Washing Line

Safety Warnings

- Do not allow children or pets to swing on the line or items of laundry
- Do not use the retractable line for any purpose other than to hang and dry washing.
- Regularly check your line for any worn and damaged parts. If there is any damage, do not use until the line is repaired
- Do not retract the line if there is washing attached to it
- Hold the line firmly when retracting or extending to and from the reel case.
- **NEVER** allow the line to snap back into the reel case as it could result in serious personnel injury, damage to the reel or damage to the wall

Installing the Retractable line



Extending and Retracting the Line

After the reel is properly installed, extend the line by pulling on the line hook and fastening to the screw eye hook

Pull the line taut and wrap the line one full turn around the locking ring. Allow the remaining line to return into the reel case. Always allow enough line to wrap around the locking ring

To retract the line, unwrap it from the locking ring and remove the line from the hook. Holding the case allow the line to slowly retract into the reel case

